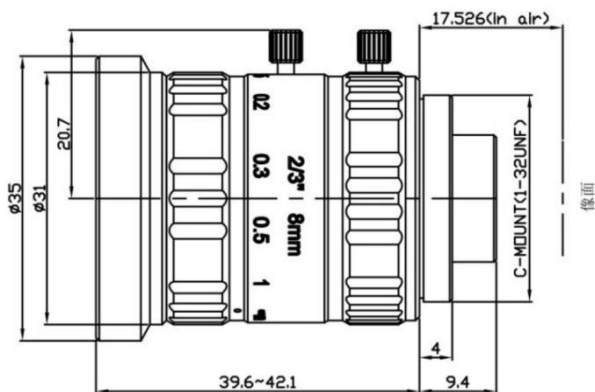


FEATURES

- ◆ Brand: ZLKC
- ◆ 2/3" C-Mount 8mm F2.8
- ◆ Wavelength 420-1000nm
- ◆ Can suppress stray light
- ◆ Low distortion, high resolution
- ◆ Compact & Lightweight


SPECIFICATION

8MP 8mm FA Lens C Mount		Working Distance	Magnification	2/3" Field of View (mm)		
Model	VM0828MP8	mm	X	H	V	
Image Size	2/3-inch	1000	0.008X	1100.0	825.0	
Focal length	8mm	900	0.009X	990.0	742.5	
F No.	F2.8-16	850	0.009X	935.0	701.3	
M.O.D(m)	0.1-Inf.	800	0.010X	880.0	660.0	
Operation	Iris	Manual	750	0.010X	825.0	618.8
	Focus	Manual	700	0.011X	770.0	577.5
Horizontal Angle of View (D×H×V)	2/3"	57.6°×44.8°	650	0.011X	715.0	536.3
	1/1.7"	50.4°×38.8°	600	0.012X	660.0	495.0
	1/1.8"	48.5°×37.3°	550	0.013X	605.0	453.8
	1/2"	43.6°×33.4°	500	0.016X	550.0	412.5
Distortion	-0.29%	450	0.018X	595.0	371.3	
Flange FL	17.526mm	400	0.020X	440.0	330.0	
Mount	C-Mount	350	0.023X	385.0	347.5	
Object Dimension	11.0cm×8.25cm (WD=100mm)	300	0.027X	330.0	247.5	
Dimension	Φ35×39.6mm	250	0.032X	275.0	206.3	
Weight	78.1g	200	0.040X	220.0	165.0	
Resolution	8MP	150	0.053X	165.0	123.8	
Filter	-	100	0.080X	110.0	82.5	
Working Temperature	-20°C ~ +60°C	50	0.160X	55	41.3	