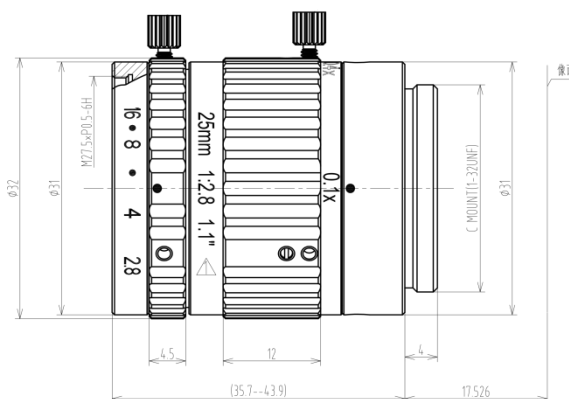


**FEATURES**

- ◆ Lens Brand: ZLKC
- ◆ 1.1" C-Mount 25mm F2.8
- ◆ Compatible with  $\phi$  17.6mm Sensor
- ◆ Excellent image uniformity
- ◆ Low distortion, High resolution
- ◆ camera and linear array camera


**SPECIFICATION**
**1.1" 25mm F2.8 Marco Lens C Mount**

Model		<b>TM2528MP12</b>					
Image Size		1.1-inch					
Focal length		25mm					
F No.		F2.8-16					
Distortion		<0.07%					
Operation		Iris		Manual			
		Focus		Manual			
Mount		C-Mount					
Dimension		$\Phi$ 31x43.9mm					
Filter		M27.5x 0.5					
Working Temperature		-20°C ~ +60°C					
Working Distance(mm)	Optical Magnification	1.1" ( $\Phi$ 17.6) Field of View		1" ( $\Phi$ 16) Field of View		2/3" ( $\Phi$ 11) Field of View	
		H	V	H	V	H	V
260.4	-0.1X	140	105	128	96	88	66
173.4	-0.15X	93	70	85	64	58.6	44
125.4	-0.2X	70	52.8	64	48	44	33
103.4	-0.25X	56	42	51	38	35	26
85.4	-0.3X	47	35	42.6	32	29	22
74.4	-0.35X	40	30	35.6	27.4	25	18.8
65	-0.4X	35	26	32	24	22	16.5