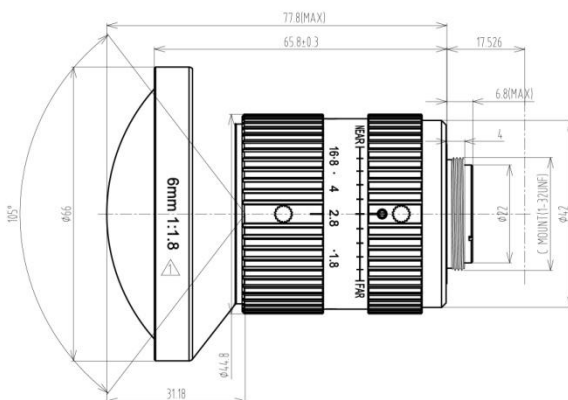


12MP 1.1" Manual Iris Lens

HK0618MP12

FEATURES

- ◆ Lens Brand: ZLKC
- ◆ 1.1" C-Mount 6mm F1.8 12MP
- ◆ Design the high-resolution
- ◆ With Anti Shock Technology
- ◆ Compact, lightweight design



SPECIFICATION

| | | |
|--------------------------|-----------------------------|---------------------|
| Model | HK0618MP12 | |
| Image Size | 1.1-inch | |
| Focal length | 6mm | |
| F No. | F1.8-16 | |
| M.O.D(m) | 0.1-Inf. | |
| Operation | Iris | Manual |
| | Focus | Manual |
| Horizontal Angle of View | 1.1"Type | 118.2°×104.9°×86.2° |
| | 1"Type | 107.5°×95.4°×78.4° |
| | 2/3"Type | 86.6°×73.3°×57.5° |
| Distortion | -2.3% | |
| Back focal length | 13.57mm | |
| Flange BFL | 17.526mm | |
| Mount | C-Mount | |
| 1.1"FOV | 462.09mm×346.57mm(WD=200mm) | |
| Dimension | Φ66×77.8mm | |
| Weight | 210.0g | |
| Horizontal Resolution | More than 180lp/mm | |
| Working Temperature | -20°C ~ +60°C | |